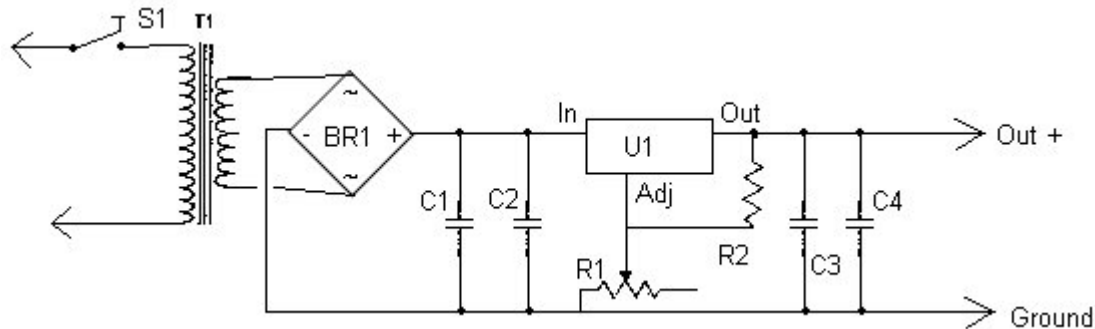


# LM338K Adjustable Power Supply 1.2 - 30V 5A



When working with electronics, you always need one basic thing; power. This **power supply** is great for powering all kinds of **electronic projects**. It produces a well filtered, **variable 1.2-30 volts at 5 amps**. It is easy to build and the parts are relatively easy to find.

## Part

C1 1 14000uF or 10000uf 40 VDC Electrolytic Capacitor

C2 1 100uF 50Vdc Electrolytic Capacitor

C3 1 0.1uF Disc Capacitor

C4 1 0.01uF Disc Capacitor

R1 1 5K Pot

R2 1 240 Ohm 1/4 W Resistor

U1 1 **LM338K 1.2 to 30 Volt 5 Amp Regulator**

BR1 1 **10 Amp 50 PIV Bridge Rectifier**

T1 1 **24 V 5 Amp Transformer**

S1 1 SPST Toggle Switch

MISC 1 Wire, Line Cord, Case, Binding Posts (for output)

## Notes

1. The regulator comes in a TO-3 case and **MUST** be used with a LARGE heatsink. You may want to mount a small fan to blow air across the regulator (I did).
2. The filter capacitor is large. It won't fit on any board so bolt it to the case.
3. You can, of course, add a volt and amp meter.
4. Since this project operates from 120 VAC, you must include a fuse and build the project in a case.